



Your reliable resource for the necessities

Woman-Owned

Based in Columbus, Ohio

ppestory.com • hello@goauntflow.com • 562-320-8250



Hi! I'm Claire,

I founded Work Flow to ensure everyone has access to basic necessities. Our first product in 2016 was Aunt Flow - 100% organic cotton menstrual products. We are a humble team based in Columbus, Ohio with the mission of people helping people... PERIOD.

♡ Claire

FDA Approved 3PLY Masks

Disposable Masks. Adjustable Nosepiece.
Non-Elastic Earloops.

Capacity: 1,000,000 masks every 3 days

Leadtime: 1-3 days for new orders

Cost: \$.60/mask

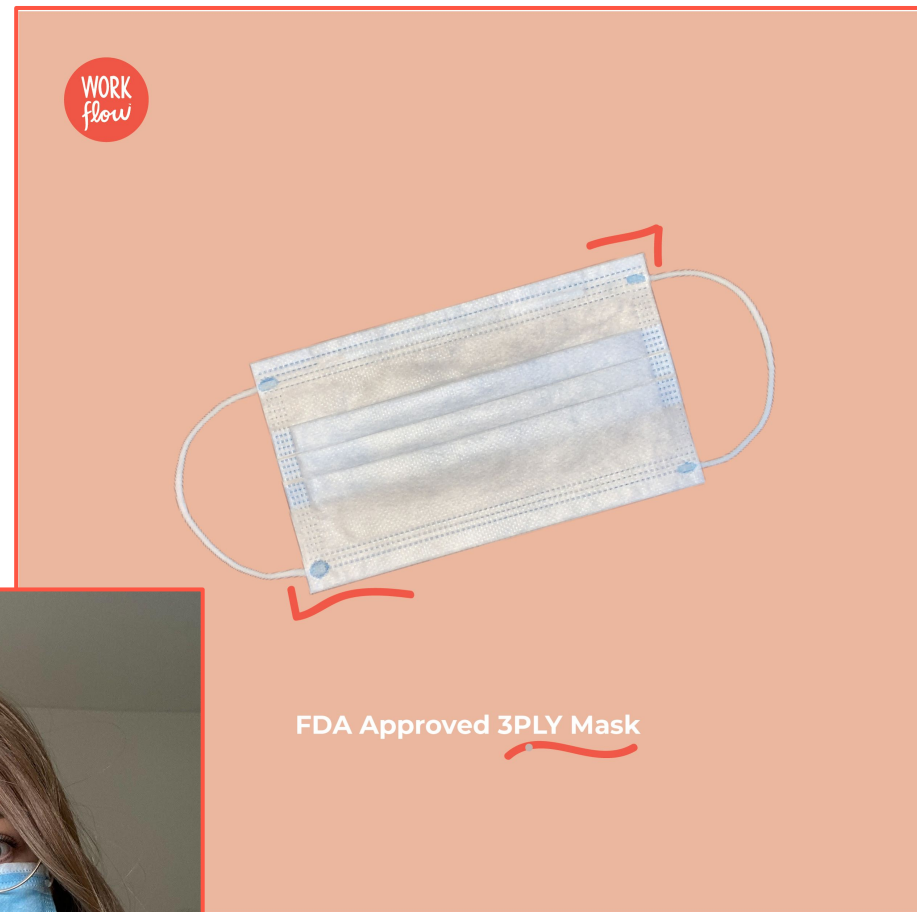
Material: Meltblown Filter

Pack method: 2000 masks each carton
(50masks/bag - 40bags/carton)

MOQ: 2000 masks

Carton size: 22x16x12in / 15lbs per carton / 30
cartons a pallet

FDA#: 3003829571



Disinfectant Wipes

FDA Approved. Kills 99.9% of Germs.
For surface cleaning.

Leadtime: Shipments from Ohio in August 2020

WIPE CANS

- 60 wipes/can
- 40 cans/case
- \$6.59/can

WIPE PACKETS

- 10wipes/packet
- 500 packets/case
- \$3.00/packet



ADULT Reusable Cloth Masks (CUSTOMIZE!)

3-layer face mask, two pleats, soft and comfortable 100% cotton fabric with antimicrobial finish and water resistant properties and spandex loops.

Leadtime: Ships within 7 days of order

Colors: Flexible, Black or Maroon

Size: 7in wide x 4.5in tall, stretchy ear loops

Custom: Opportunity to customize, contact us

Pack Method: Individuals in cases of 100ct

MOQ: 100 pieces



YOUTH Reusable Cloth Masks (CUSTOMIZE!)

3-layer face mask, two pleats, soft and comfortable
100% cotton fabric with antimicrobial finish and
water resistant properties and spandex loops.

Leadtime: Depends on size of order

Cost: Solid: \$2.51/Pc - Print: \$3.36/Pc

Colors: Solid colors / Customize

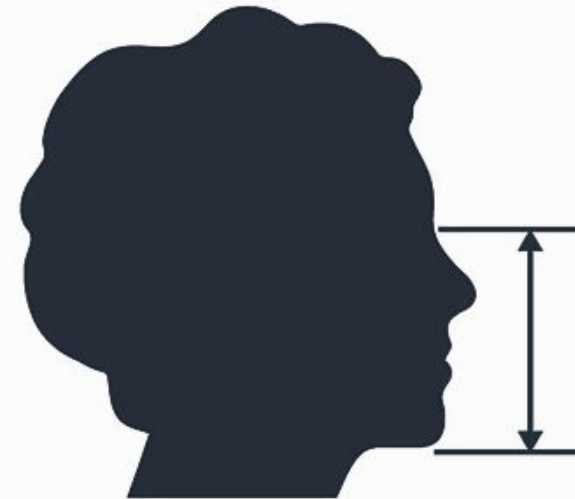
Size: Youth Small/Medium Size: 4 ¼”H x 6”W
Youth Large/X Large Size: 5 ¼”H x 7”W

Custom: Opportunity to customize and individually
pack, contact us

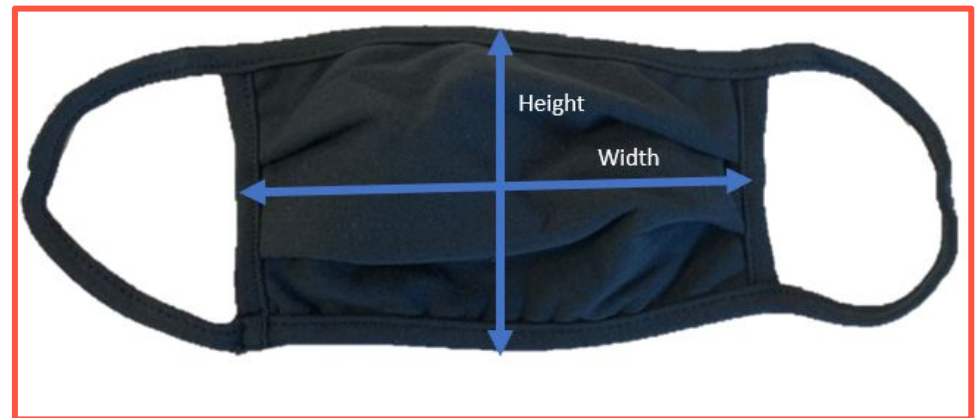
Pack Method: Individuals in cases of 100ct

MOQ: 100 pieces

Cloth Face Mask Sizing Guide



Measure from the
bridge of the nose
to the bottom of
the chin.



Reusable Face Guard (CUSTOMIZE!)

Leadtime: Customize and produce in 2-4 weeks

Custom: Share your design ideas with us and we will create your perfect, custom shield

Cost:

Single Shield: \$24.99 per shield

10 Pack: \$19.99 per shield

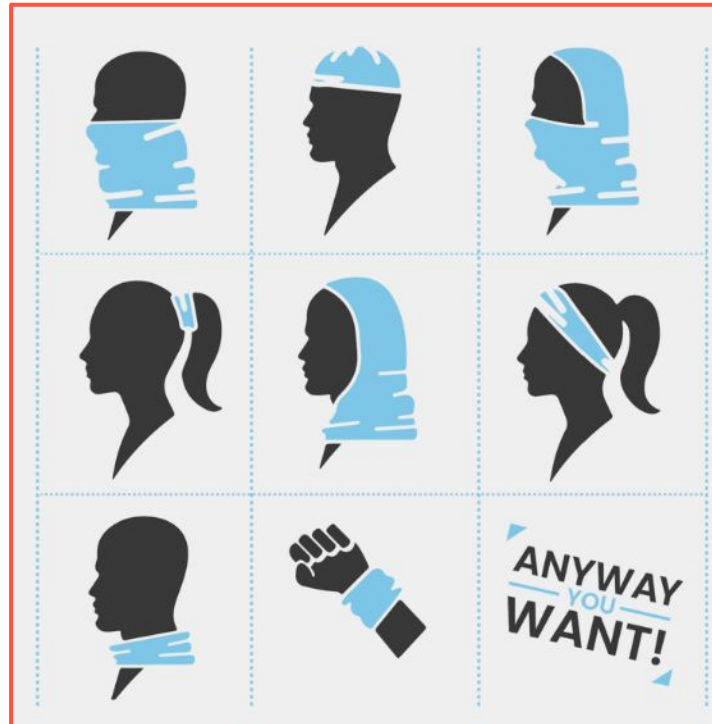
50 Pack - \$14.99 per shield

200 Pack: \$9.99 per shield

1,000 Pack: \$7.99 per shield

5,000 Pack: \$5.99 per shield

25,000 Pack: \$3.99 per shield



SANITIZERS

4oz Flip Top Bottles

- Thoughtfully crafted in Virginia
- 80% Ethyl Alcohol
- Capacity: 14,000/week
- Cost: \$5.99/bottle
- Case Size: 24 bottles/case

16.9oz Pump Bottles

- Origin: China
- 75% Ethyl Alcohol
- Capacity: 100,000/week
- Cost: \$5.95/bottle
- Case Size: 30 bottles/case



Liquid Surface Disinfectant

Made in Ohio. 1 Gallon Jugs.

Capacity: 1000 jugs each week

Leadtime: 3 days from order

Cost: \$45.50/bottle

Pack Method: 4 bottles in a case

MOQ: 4 bottles



AAMI Level 3 Gowns

Medical/Surgical, Isolation Gowns, Level 3.

Capacity: 60,000 each week

Leadtime: 7-9 days for new orders

Cost: \$8.00 for current inventory, but price will requote for any new commits based on raw material and air freight increases

Size of Gown: 49" length x 57" width

Material: SMS 450 gram

Pack Method: 80 gowns per carton
(10 gowns/poly bag)

MOQ: 80 gowns

Carton size: 21" x 13" x 21"

FDA# 014314985 3014314985



Single-Use Shoe Covers

3gram One-Size Shoe Covers

Capacity: 200,000 each week

Cost: \$0.342/single cover by air freight
(Arrival - 5 days from deposit)

Cost: \$0.171/single cover by boat
(Arrival - 30 days from deposit- pick up in LA)

Pack Method: 2,000 covers per carton.
(10 rolls of 10 single shoe covers)

MOQ: 100,000

Carton size: 21" x 12.5" x 23"

4gram One-Size Shoe Covers

Capacity: 100,000 each week

Cost: \$0.34/single cover by air freight
(Arrival - 5 days from deposit)

Cost: \$0.199/single cover by boat
(Arrival - 30 days from deposit- pick up in LA)

Pack Method: 2,000 covers per carton.
(10 rolls of 10 single shoe covers)

MOQ: 100,000

Carton size: 21" x 12.5" x 23"



Hands-Free Door Opener

Door handles are among the most germ-infested objects. Reduce contact with our hands-free door openers.

Leadtime: Estimated 2 weeks based upon volume, plain or custom printing

Cost:

Less than 200 Units \$11.20

200 Units+ \$9.80/each

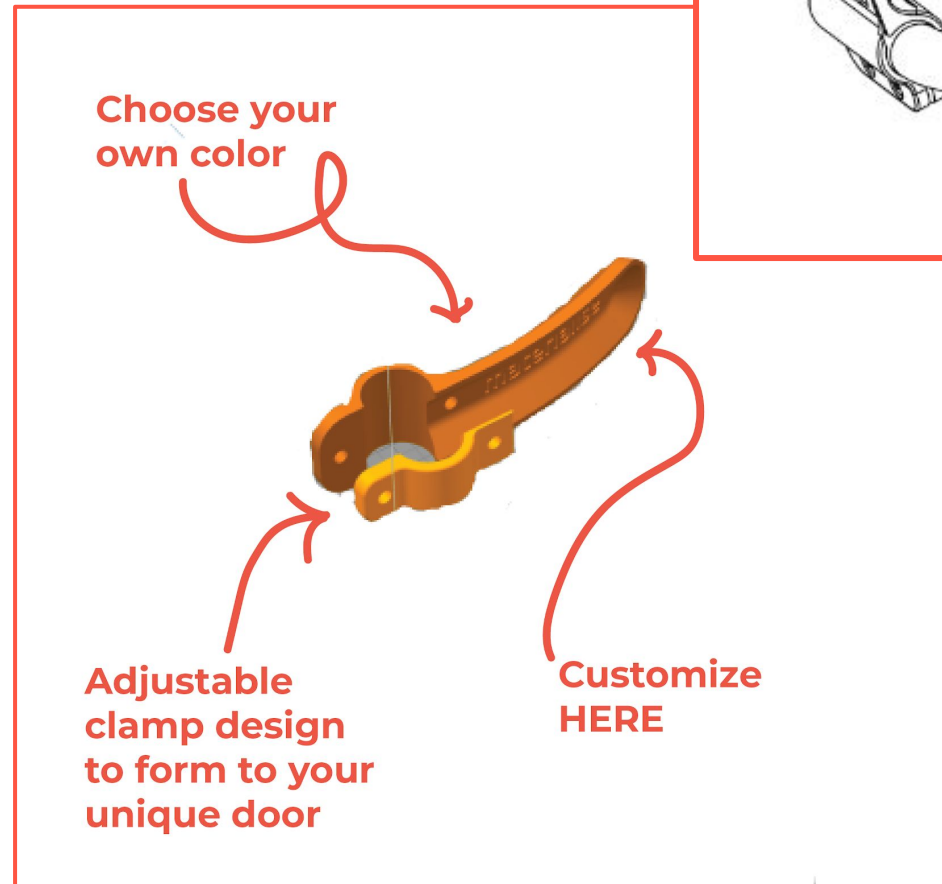
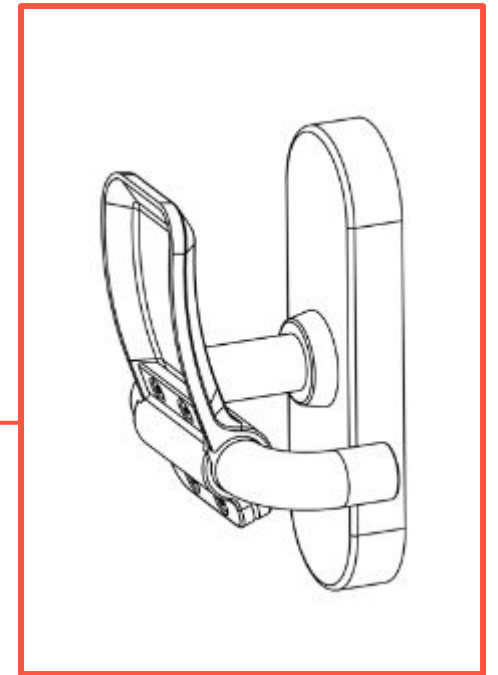
500 Units+ \$8.40/each

Other Details:

Made in Ohio

Easy to add to doors, universal design

Ability to personalize



100% Organic Cotton Menstrual Products

PADS: Regular day pads with wings

TAMPONS: Regular, smooth-tip cardboard applicator

Capacity: 1,00,000 units per day

Leadtime: 1 day

Cost: \$135/case

Material: 100% organic cotton, biodegradable paper wrappers

Pack Method: 500 pieces per case

MOQ: 500 tampons or 500 pads



Additional Details

Shipping: All products ship with love from OHIO. Freight is pre-pay and add.

Payment Terms: 100% upfront

MOQ: Minimum Order Quantity

Resources:

- [How to vet a PPE supplier](#)
- [How to wear a mask](#)

